

TRUCKCRAFT CORPORATION  
 5751 MOLLY PITCHER HWY S.  
 CHAMBERSBURG, PENNSYLVANIA



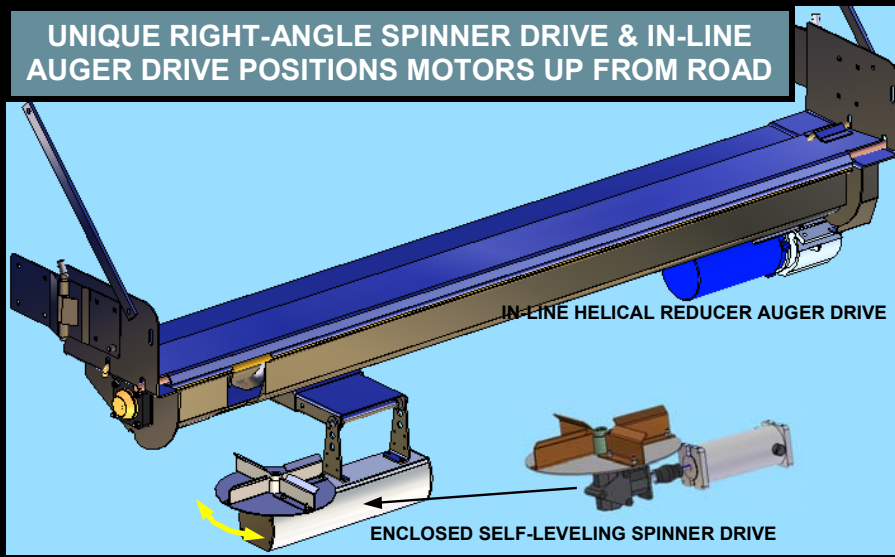
# TC-160 LIGHTNING 12V ELECTRIC UNDERTAILGATE SPREADER

## FEATURES:

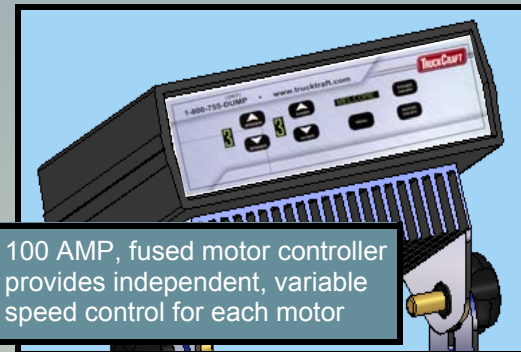
- All electric - needs no hydraulic system
- 3/4 HP auger drive moves 15,000 lb/hr\*
- 1/6 HP spinner motor in protected housing
- Kit fits virtually any one-ton dump body
- Constructed of extruded T-6 alloy & aluminum sheet for durability & weight savings
- Installed unit weight - 275 lbs
- Backlit, fused, 100 AMP controller provides independent, variable motor control\*
- Auto-level spinner requires no linkage
- Right angle spinner motor drive provides higher motor road clearance
- Stainless steel auger, spinner & hdw
- All bolt-on kit installs in 8 hours
- Auger reducer is in-line premium helical gear type for 98% efficiency
- Spreads free-flowing mat'l up to 3/4" dia.
- Change auger sprkt ratios for your mat'l's
- One year factory warranty

\*150 AMP Alternator recommended for 15,000# output

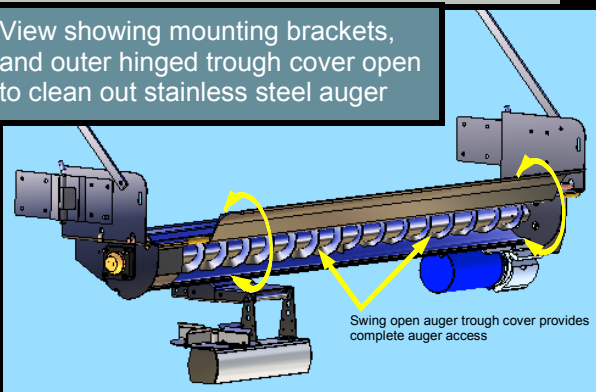
UNIQUE RIGHT-ANGLE SPINNER DRIVE & IN-LINE AUGER DRIVE POSITIONS MOTORS UP FROM ROAD



100 AMP, fused motor controller provides independent, variable speed control for each motor

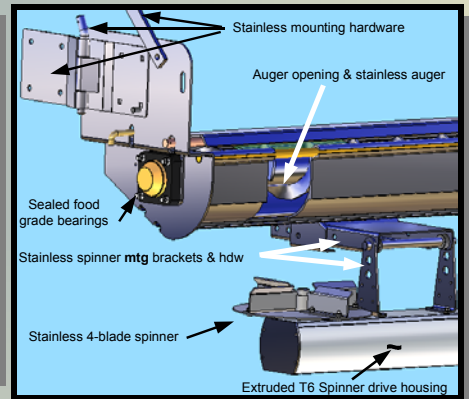
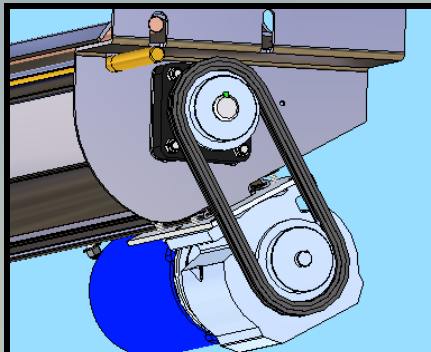


View showing mounting brackets, and outer hinged trough cover open to clean out stainless steel auger



Swing open auger trough cover provides complete auger access

3/4 HP auger motor, gear reducer & #50 chain drive



Top cover open and latched with 1/2" diameter stainless latches, ready to accept truck tailgate

